

For all size G 1/4 or larger filters, filter regulators, service units and combination units.
 Not suitable for our mini Series nor for the »multifix« Series.
 Easier to mount than the standard manual drain valve.

Operating pressure: Min. 4.0 bar
 Max. 12.0 bar
 Working temperature 0° C to +90 °C
 Material: Cap made of brass
 Housing made of plastic (PA)
 Medium Condensate (emulsion)
 Tank connection: G 1/8 male
 Drain-side thread: G 1/4 female
 Mounting Position: Bowl mounted - Vertikal ± 10 %

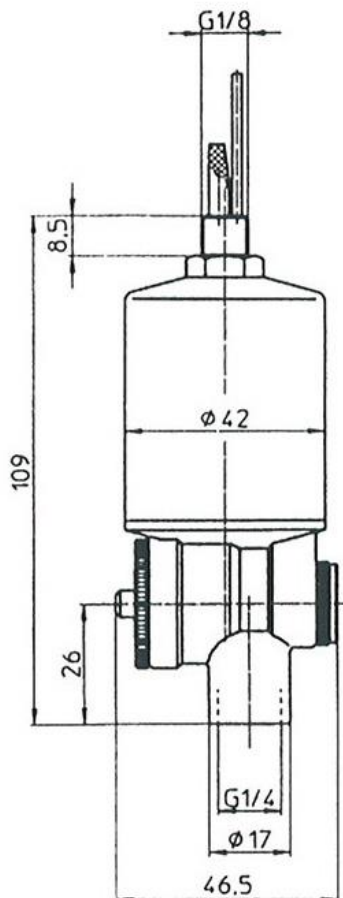
Construction: - Cartridge valve
 - Float controlled, servo acting drain valve

WARNING:

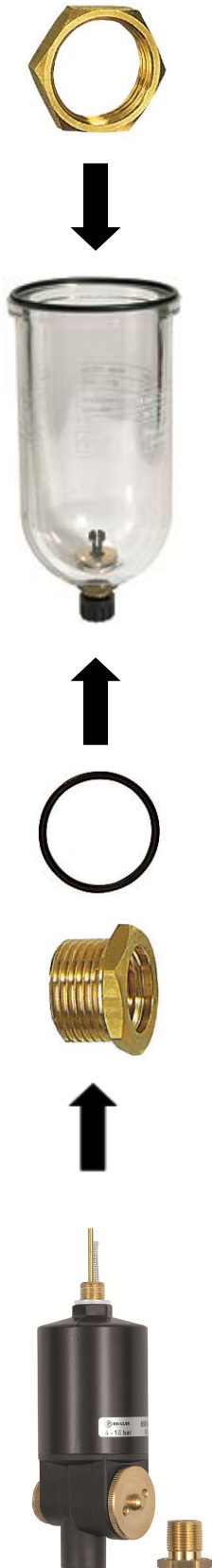
Swimmers can contribute to large amounts of condensate and air removal without flooding.

- With manual override (sluggish at over 6.0 bar)

Function: - Automatic discharge after reaching the max. charging level



Installation Instruction



- Bleed the system
- If necessary remove remaining condensate
- Remove the bowl by loosening the ring nut
- Remove inside hexagon nut on the bottom of the bowl with a socket wrench
- Remove the drainage insert with the O-ring downward
- Insert the O-Ring into the groove of the enclosed nipple 22.653.6.0.
- Insert nipple 22.653.6.0 with enclosed O-Ring from below through the bowl aperture
- Counter the hexagon nut from the inside of the bowl
- Fit 65/0-N with the external thread using a flat gasket (included in the delivery) or a liquid nut lock
- Fasten the bowl on the headpiece with the threaded ring (avoid a too strong locking torque)